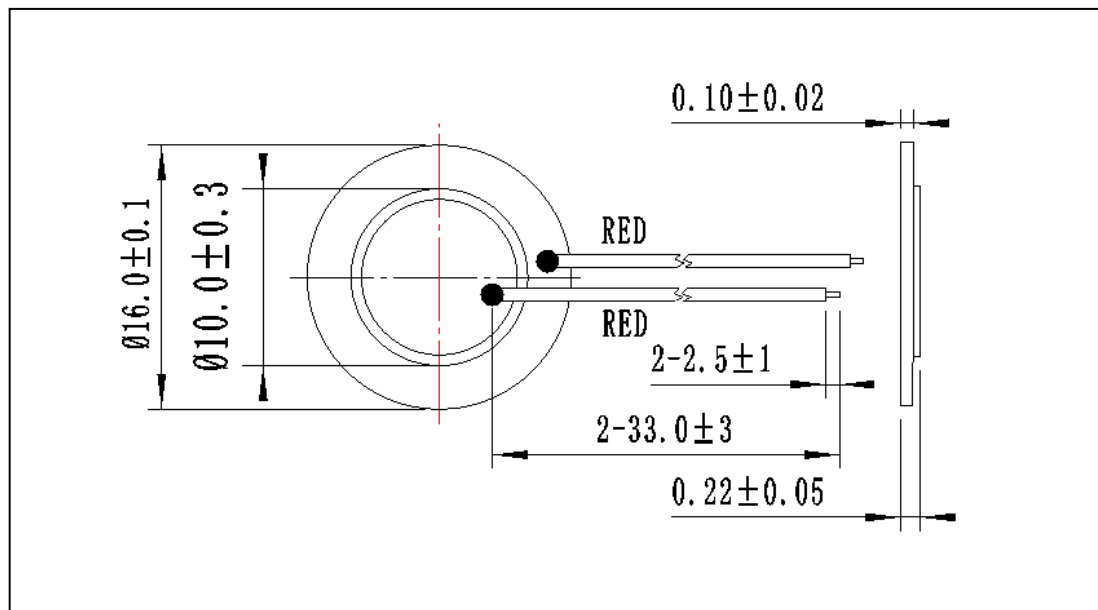


PIEZO ELEMENT SPECIFICATIONS

MODEL: AW1E16T-38EL1Z

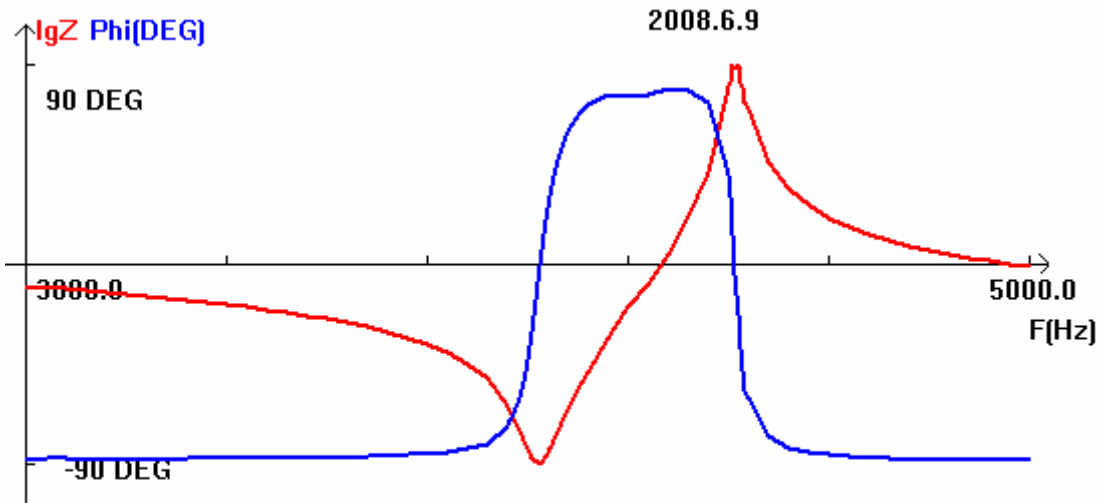
Resonant frequency	Fr	3.8±0.8kHz (WITHOUT WIRES)
Main electrostatic capacity	Cm	14000±30% pF at 1kHz/1V 25°C (WITHOUT WIRES)
Feedback electrostatic capacity	Cf	-----
Resonant impedance	R	1500Ω MAX. (WITHOUT WIRES)
Metal plate material		Brass
Metal plate diameter	mm	16.0±0.1
Metal plate thickness	mm	0.10±0.02
Ceramic diameter	mm	10.0±0.30
Total height	mm	0.22±0.05
Insulation resistance		100MΩ MIN. at 50V
Maximum input voltage		30Vp-p
Operating temperature range		-20°C to +70°C
Storage temperature range		-30°C to +80°C
Lead wires		UL1571AWG30#RED

APPEARANCE AND DIMENSIONS:



Remark: The Pb in ceramic is exempt, other ingredients are all ROHS compliant

■ TYPICAL FREQUENCY RESPONSE CURVE



■ MEASURING PROCEDURE

The resonant frequency and resonant impedance are measured in the constant-voltage circuit.

